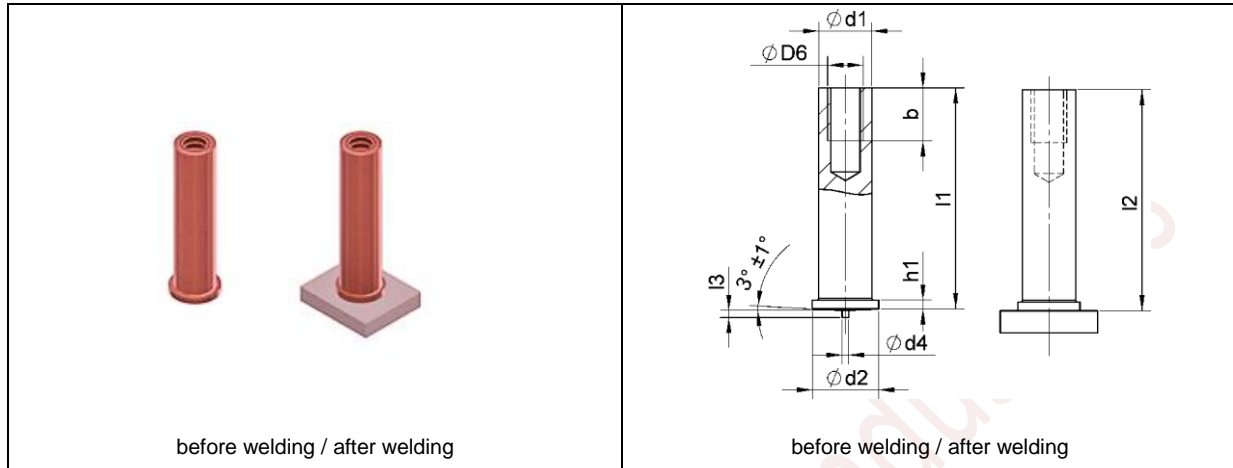


1.2 Internally threaded stud (type IT acc. to DIN EN ISO 13918)



Dimensions								
d1 ± 0.1	l1 $+0.6$	D6	b min. $+2P^1$	d2 ± 0.2	d4 ± 0.08	l3 ± 0.05	h1	l2 for $l_2 < 8$ mm
5	6-30	M3	5	7	0.75	0.8	0.7-1.4	$\approx l_1 - 0,3$
6	8-40	M4	6	8	0.75	0.8	0.7-1.4	$\approx l_1 - 0,3$
7.1	10-40	M5	7.5	9	0.75	0.85	0.8-1.4	$\approx l_1 - 0,3$
8	10-40	M6	7.5	9.5	0.75	0.85	0.8-1.4	$\approx l_1 - 0,3$

- Dimensions that are not listed in the measurement tables are delivered on request