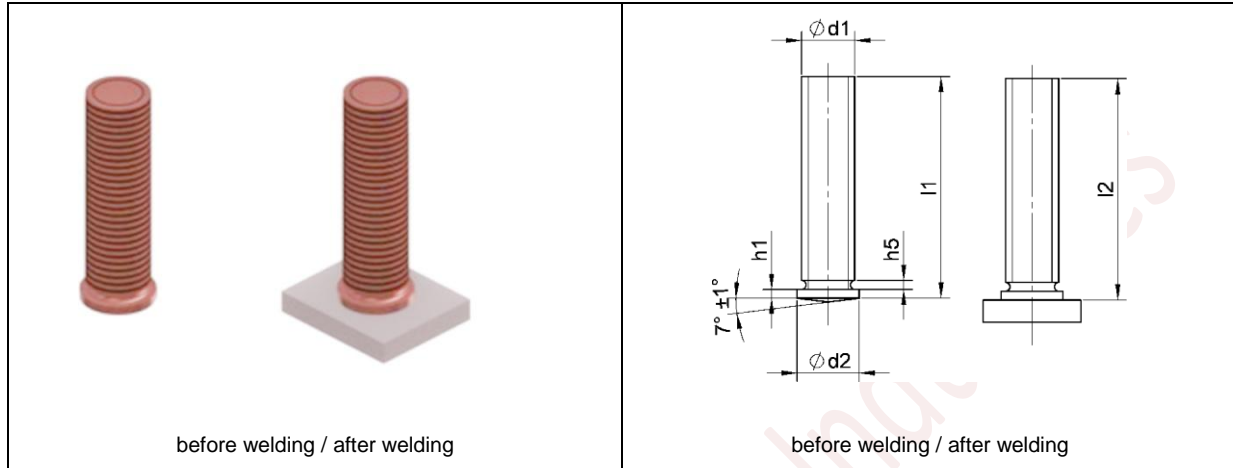


1.1 Threaded stud (type PS acc. to DIN EN ISO 13918)



d 1	l1 +0.6	d2 ± 0.2	d4 ± 0.08	h5 max.	h1	l2
M3	6-30	4	0.6	0.6	0.7-1.4	$\approx l1-0.3$
M4	6-40	5	0.65	0.6	0.7-1.4	$\approx l1-0.3$
M5	6-45	6	0.75	1.0	0.7-1.4	$\approx l1-0.3$
M6	8-60	7	0.75	1.0	0.7-1.4	$\approx l1-0.3$
M8	10-60	9	0.75	1.5	0.8-1.4	$\approx l1-0.3$
M10	15-60	11	0.75	3	1.2-1.6	$\approx l1-0.3$

- Dimensions that are not listed in the measurement tables are delivered on request